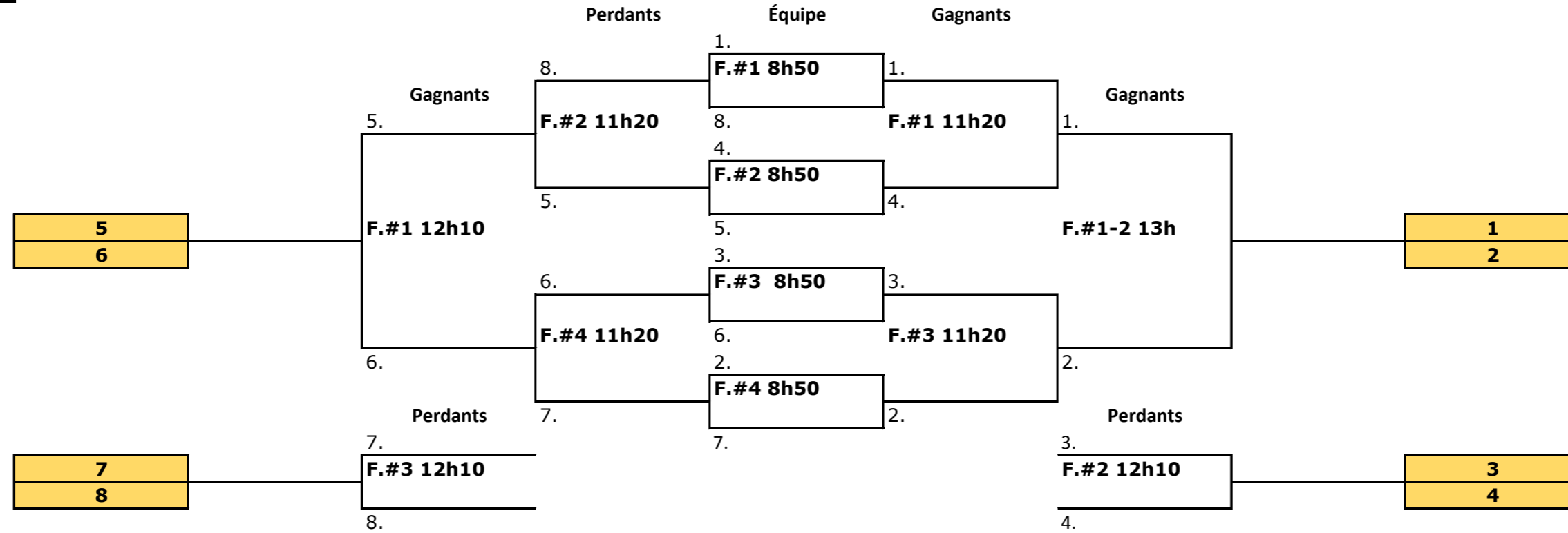
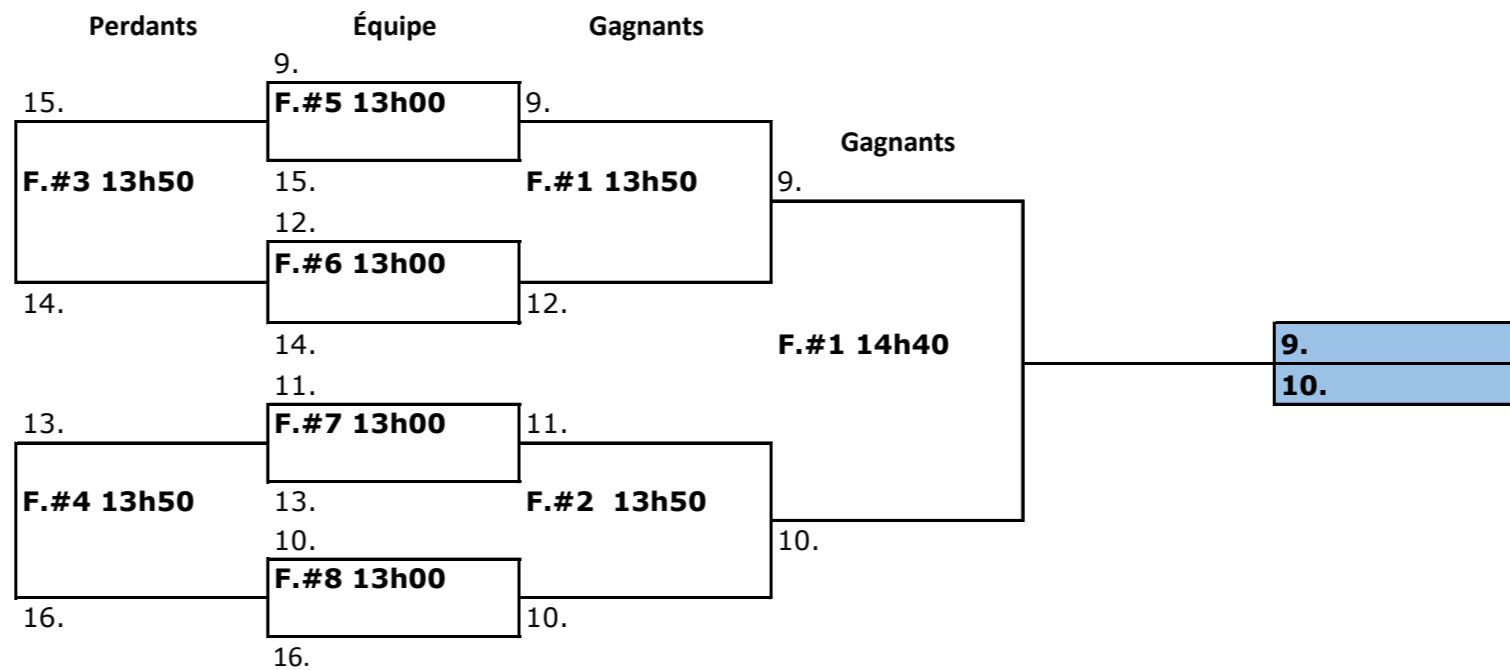


**Top 8**



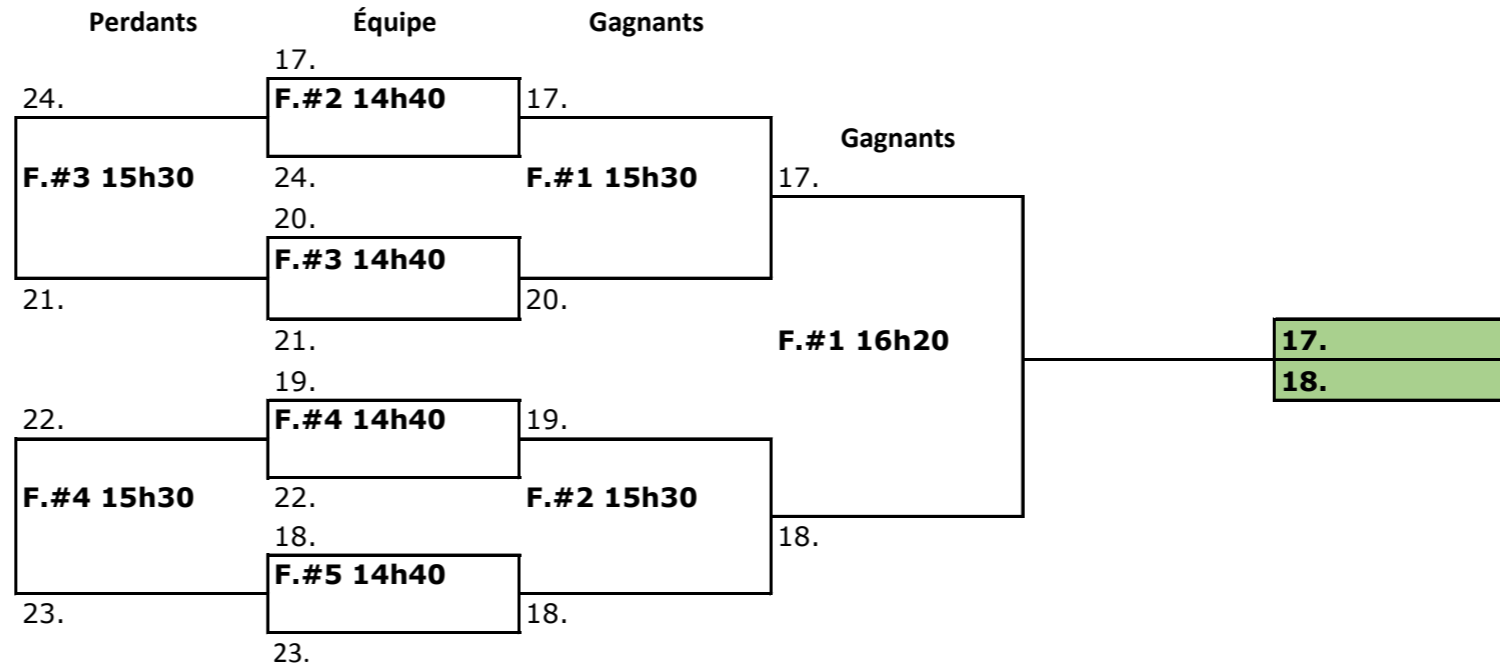
**9 - 16**

Position 11/12: perdant 9c12:  
 Position 11/12: perdant 11c10:  
 Position 13/14: gagnant 15c14:  
 Position 13/14: gagnant 13c16:  
 Position 15/16: perdant 15c14:  
 Position 15/16: perdant 13c16:



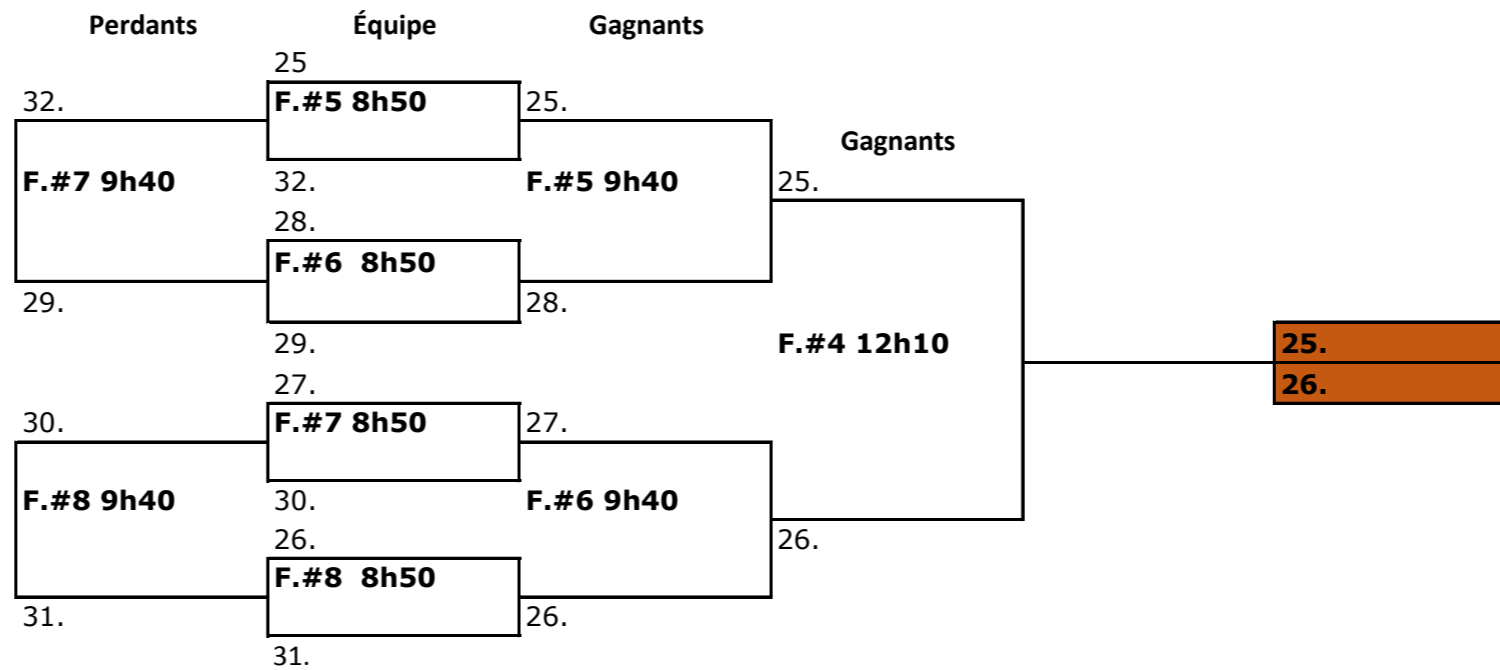
17 - 24

Position 19/20: perdant 17c20:  
Position 19/20: perdant 19c18:  
Position 21/22: gagnant 24c21:  
Position 21/22: gagnant 22c23:  
Position 23/24: perdant 24c21:  
Position 23/24: perdant 22c23:



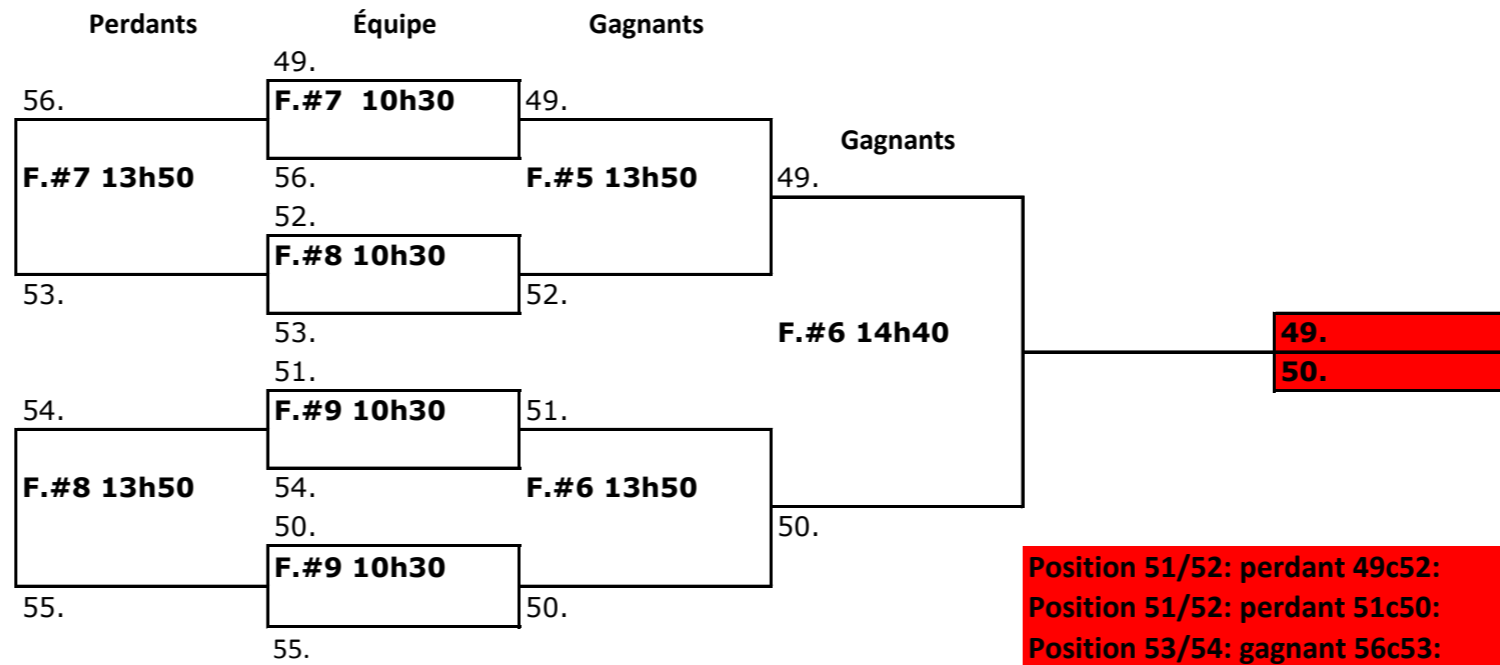
25 - 32

Position 27/28: perdant 25c28:  
Position 27/28: perdant 27c26:  
Position 29/30: gagnant 32c29:  
Position 29/30: gagnant 30c31:  
Position 31/32: perdant 32c29:  
Position 31/32: perdant 30c31:





49-56



Position 51/52: perdant 49c52:  
 Position 51/52: perdant 51c50:  
 Position 53/54: gagnant 56c53:  
 Position 53/54: gagnant 54c55:  
 Position 55/56: perdant 56c53:  
 Position 55/56: perdant 54c55: